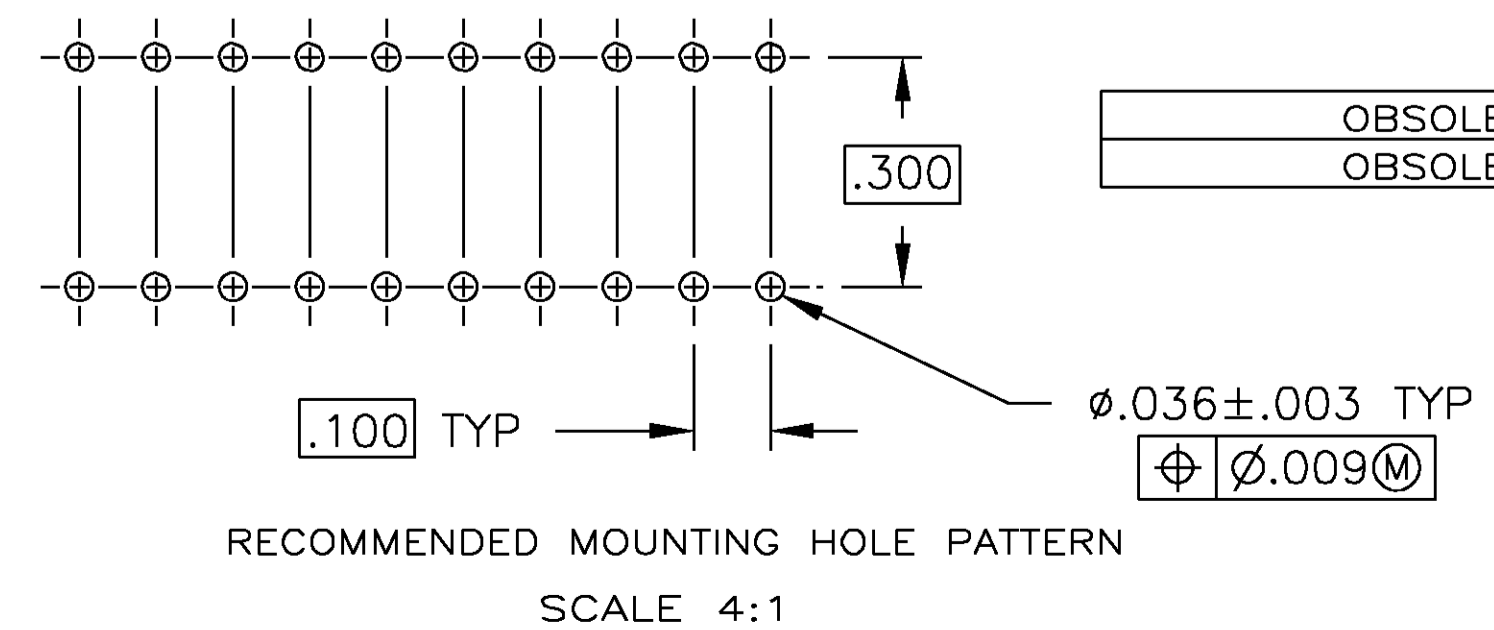
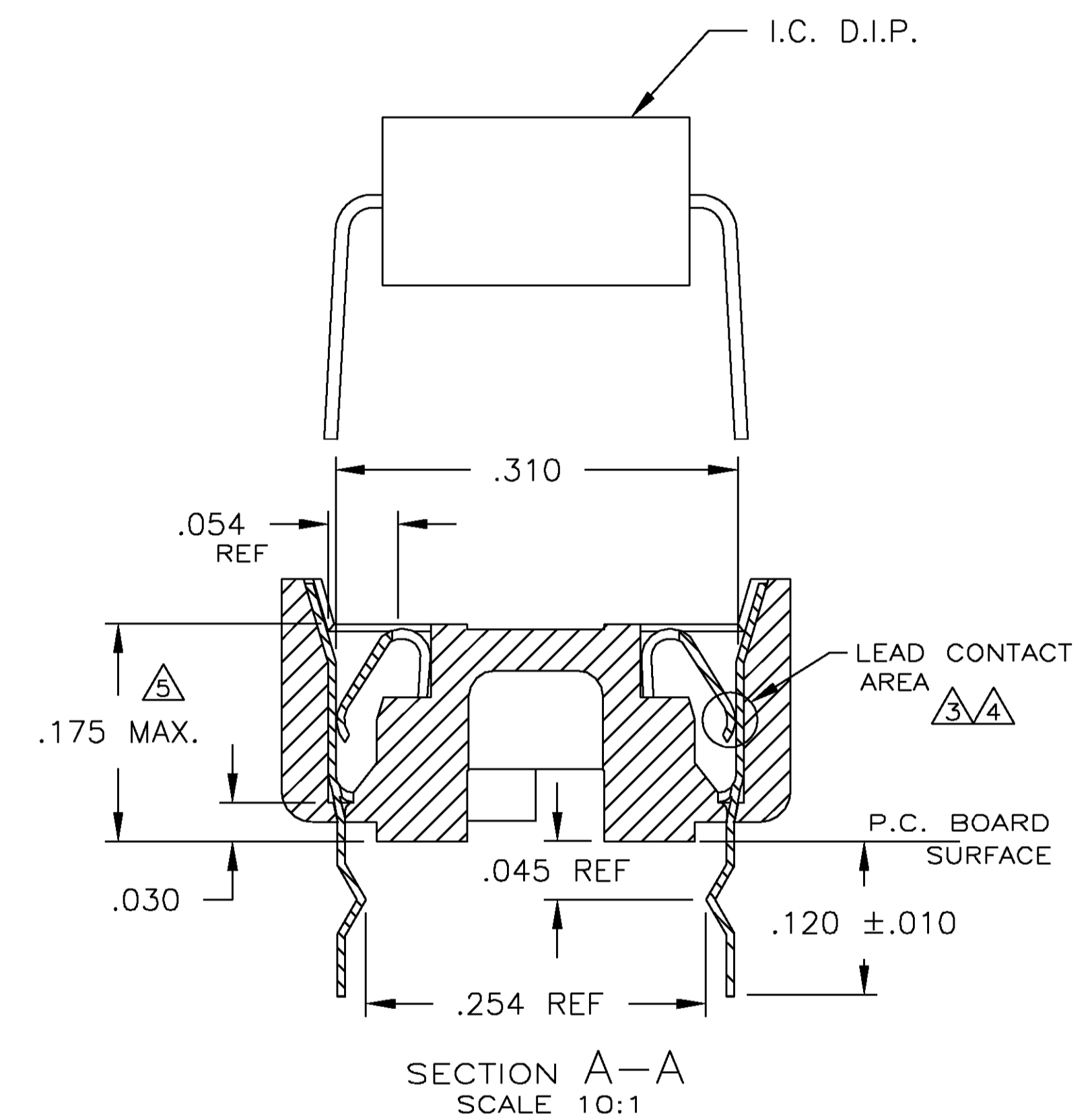
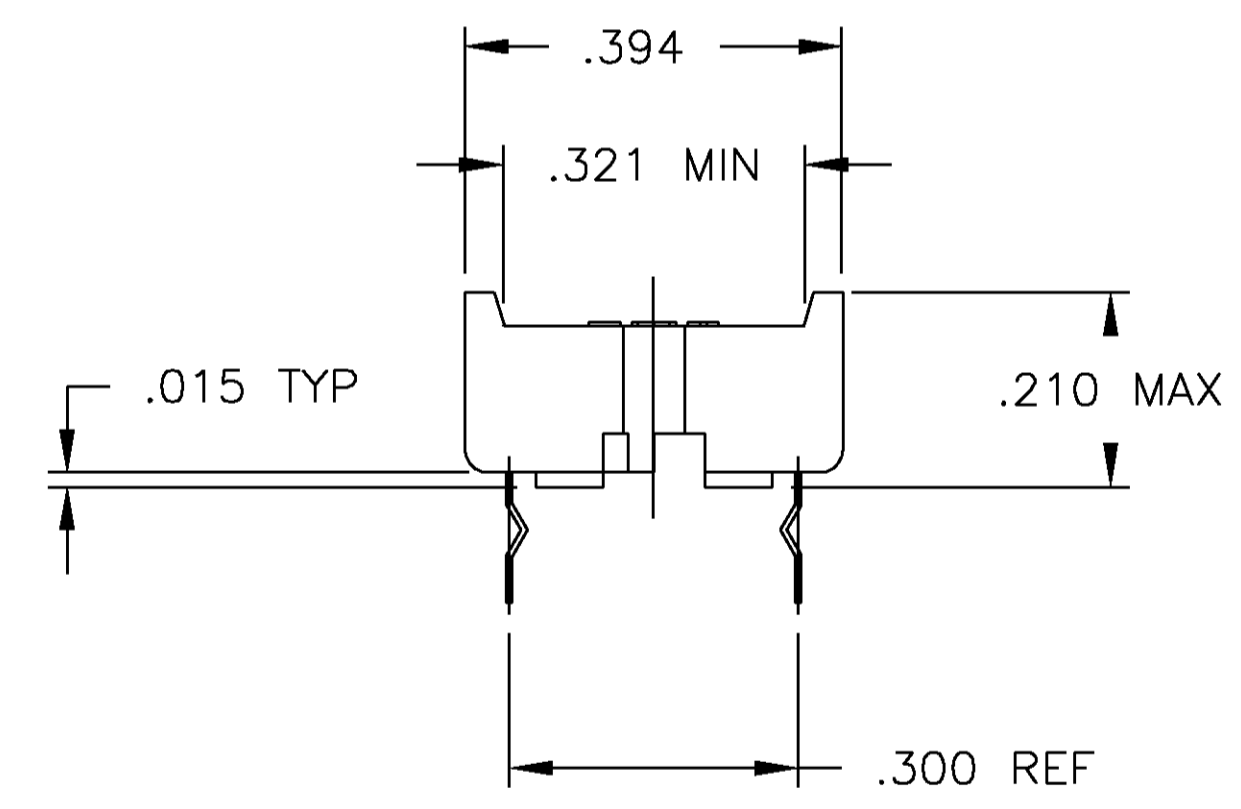
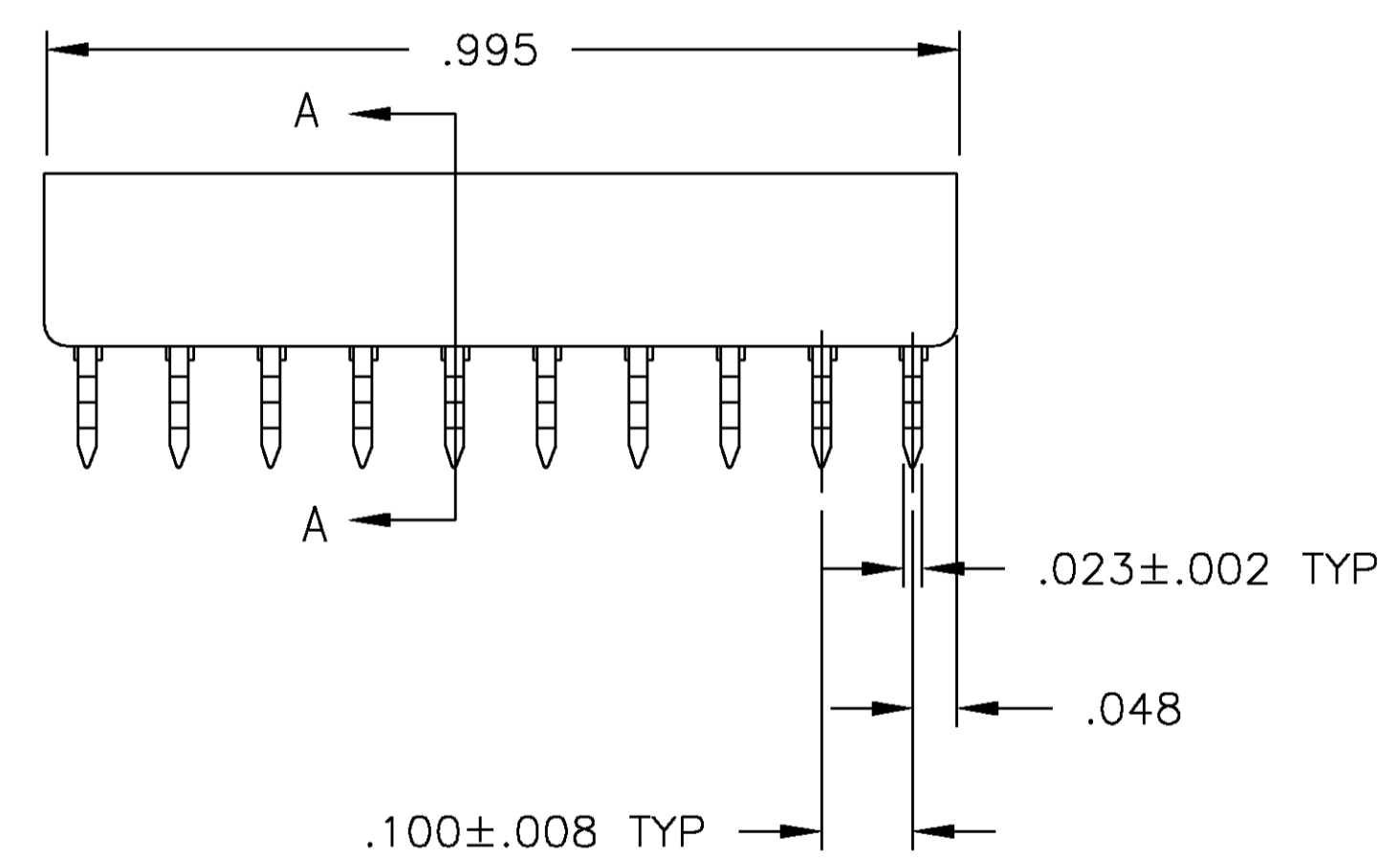
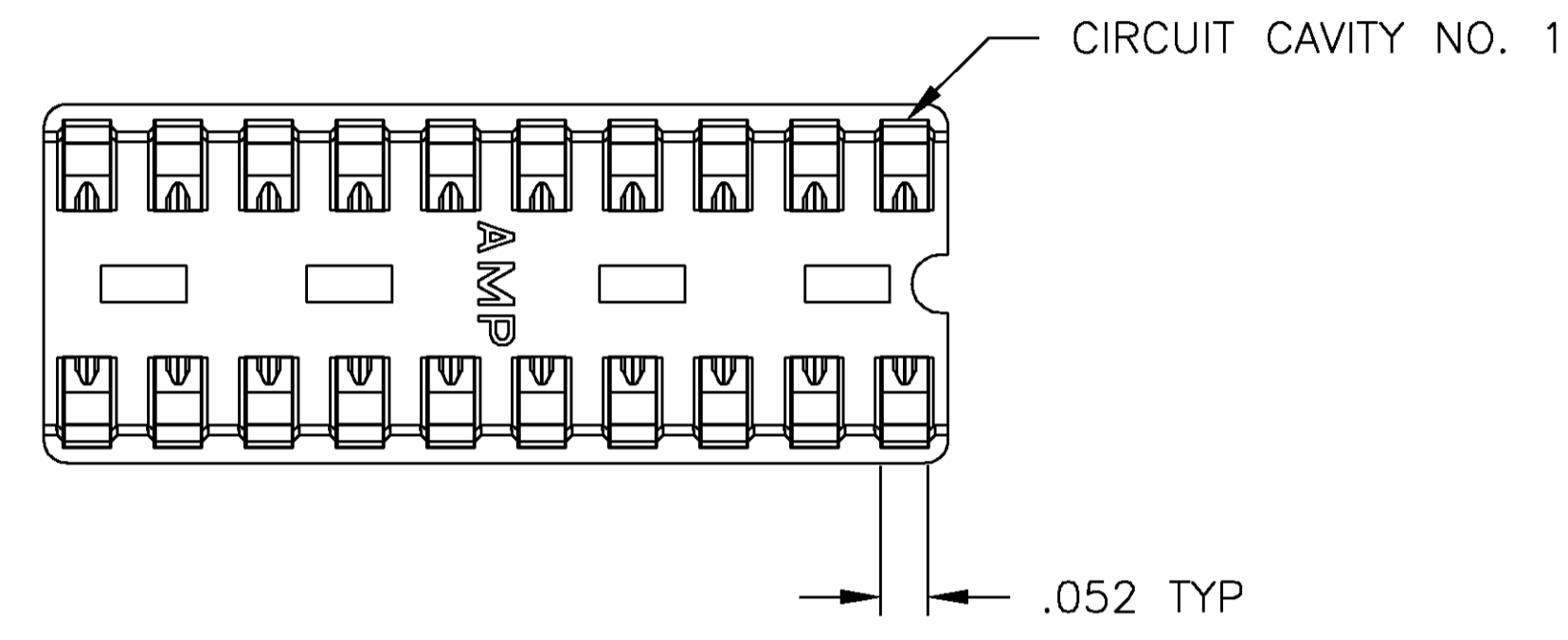


1. RECEPTACLE ACCEPTS A .008-.014 THICK I.C. LEAD.
2. TUBE LOADED.
3. TWO .000030 MIN THK. GOLD STRIPES IN CONTACT AREA WITH TIN-LEAD (93/7) ON CONTACT LEGS, BALANCE OF CONTACT NICKEL PLATED.
4. TWO .000015 MIN THK. GOLD STRIPES IN CONTACT AREA WITH TIN-LEAD (93/7) ON CONTACT LEGS, BALANCE OF CONTACT NICKEL PLATED.
5. MAXIMUM DIMENSION FOR I.C. SEATING PLANE.



OBSOLETE	3	PHOS.BRZ. .006 THK	GLASS-FILLED THERMOPLASTIC, 94V-O, BLACK	2-641264-4
	TINNED	PHOS.BRZ. .006 THK	GLASS-FILLED THERMOPLASTIC, 94V-O, BLACK	2-641264-3
	4	BE.CU. .006 THK	GLASS-FILLED THERMOPLASTIC, 94V-O, BLACK	2-641264-2
	TINNED	BE.CU. .006 THK	GLASS-FILLED THERMOPLASTIC, 94V-O, BLACK	2-641264-1
CONTACT FINISH		CONTACT MAT'L	HOUSING MATERIAL	PART NO.
THIS DRAWING IS A CONTROLLED DOCUMENT.				
DIMENSIONS: INCHES		TOLERANCES UNLESS OTHERWISE SPECIFIED:		DWG: R BROWN 09JAN01
0 PLC ± -		1 PLC ± -		OK: H WYNKOOP 17NOV00
1 PLC ± -		2 PLC ± -		APVD: H WYNKOOP 17NOV01
2 PLC ± -		3 PLC ± .005		NAME: SOCKET ASSY, DIP, RET LEG, 20 POS, DIPLOMATE™ DL
3 PLC ± -		4 PLC ± -		PRODUCT SPEC: 108-1066
4 PLC ± -		ANGLES ± -		APPLICATION SPEC: 114-1049
MATERIAL: SEE TABLE		FINISH: SEE TABLE		SIZE: A1
				CAGE CODE: 00779
				DRAWING NO: 641264
				RESTRICTED TO: -
				SCALE: 5:1
				SHEET: 1 OF 1
				REV: N